

# INSTALLATION INSTRUCTION

## Single-lever 3-hole shower/bath mixer

### ITEM No.85 2684\*\*

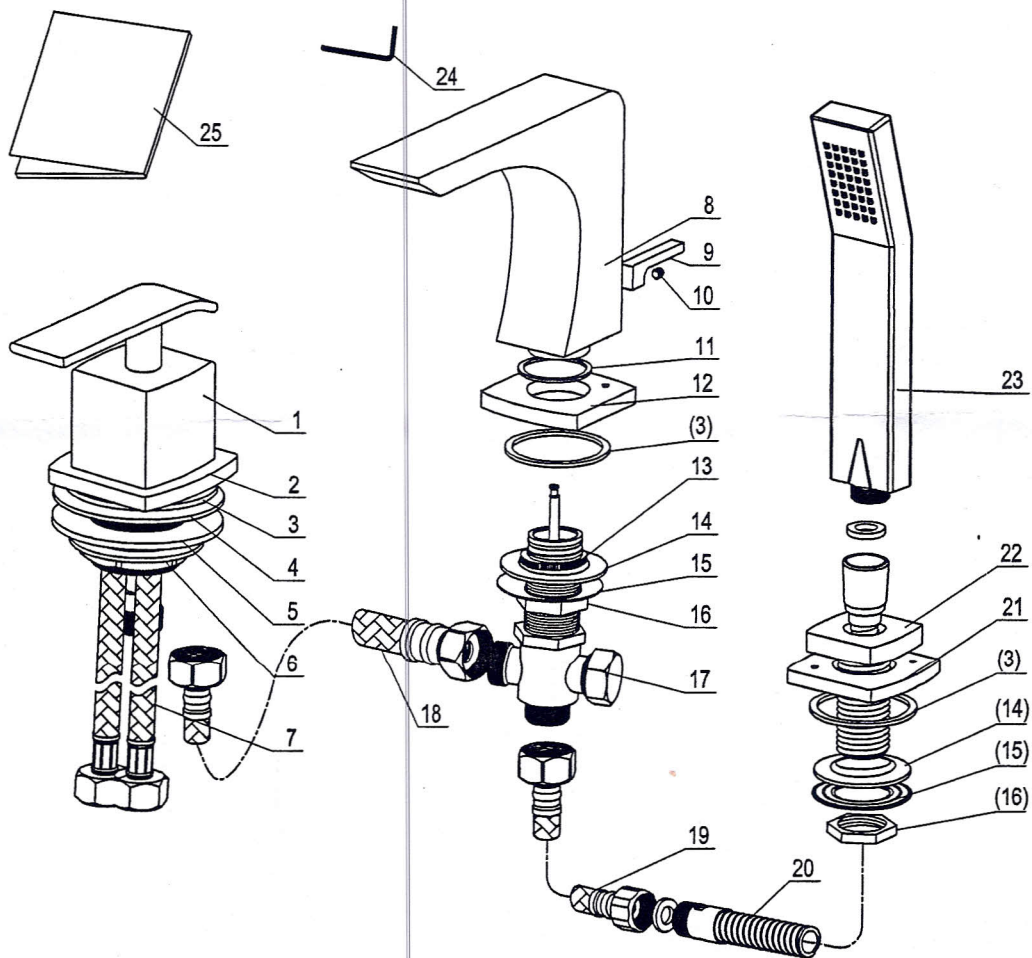
## ✳️ACCESSORIES CHECKING

### LIST OF THE STANDARD ACCESSORIES:

Please double-check the accessory list hereinafter and contact our company or our distributor for any unconformity.

#### Remarks:

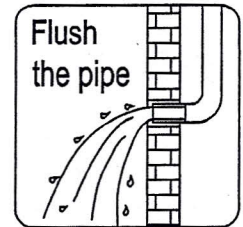
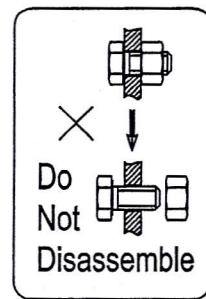
- 1, Without affecting their performing, accessories may be changed without further notice.
- 2, Drawings for reference only. Product size & shape refer to actual faucet.



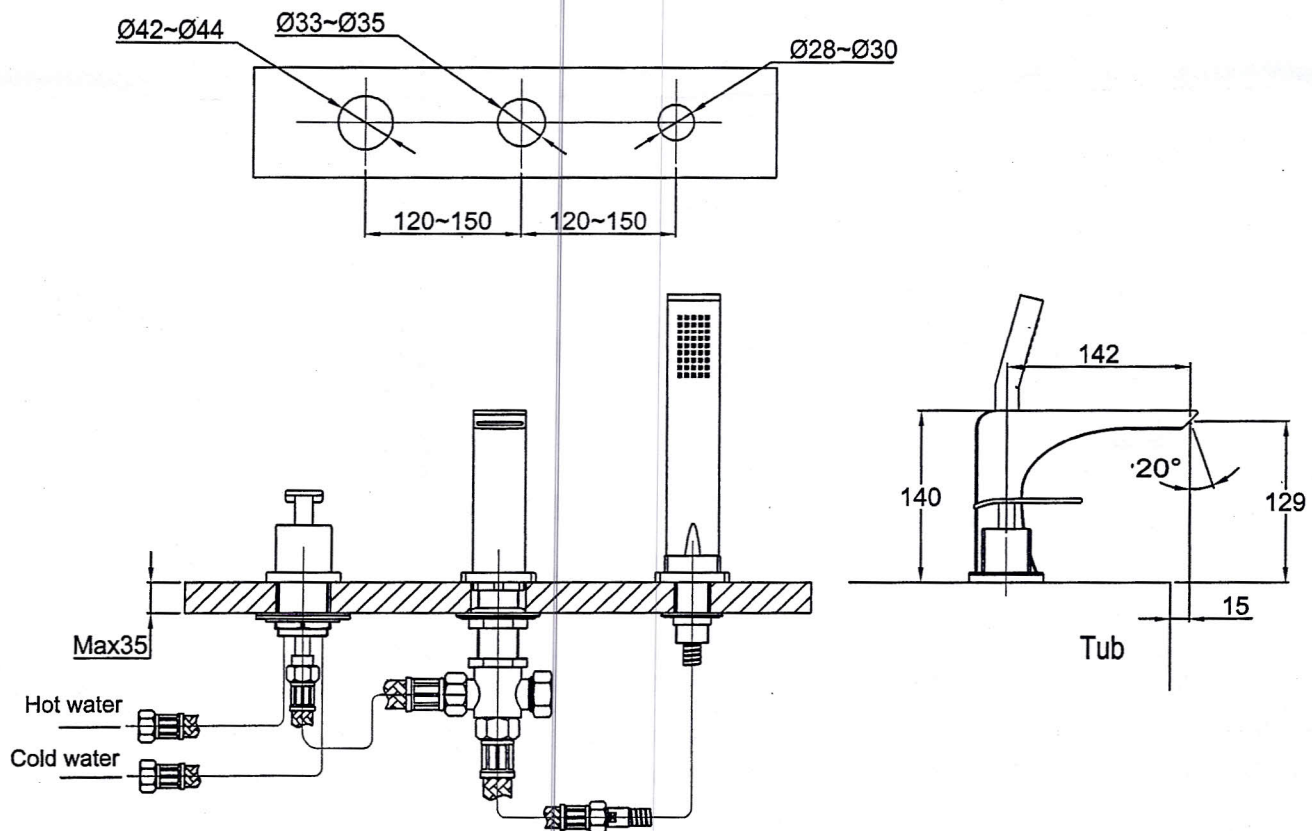
The Accessory List	Qty.	The Accessory List	Qty.	The Accessory List	Qty.	The Accessory List	Qty.
1 .Main body	1	8 .Spout	1	15 .Metal cushion B	2	22 .Shower hook	1
2 .Decorative plate A	1	9 .diverter knob	1	16 .Lock nut C	2	23 .Handshower	1
3 .Washer A	3	10 .Bolt	1	17 .Diverter	1	24 .Allen key	1
4 .washer B	1	11 .Washer C	1	18 . Connecting hose A	2	25 .Installation instruction	1
5 .Metal cushion A	1	12 .Decorative plate B	1	19 .Connecting hose B	1		
6 .Lock nut A	1	13 .Lock nut B	1	20 .Flexible hose	1		
7 .Inlet pipes A	2	14 .Washer D	2	21 .Decorative plate C	1		

## ※ Installation Instructions

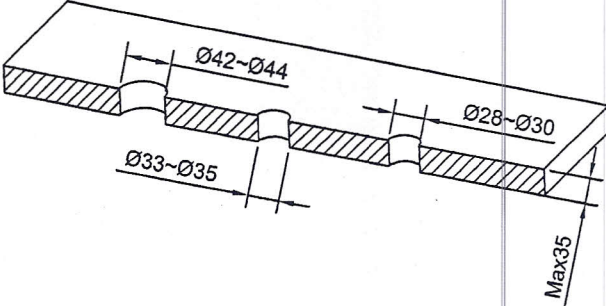
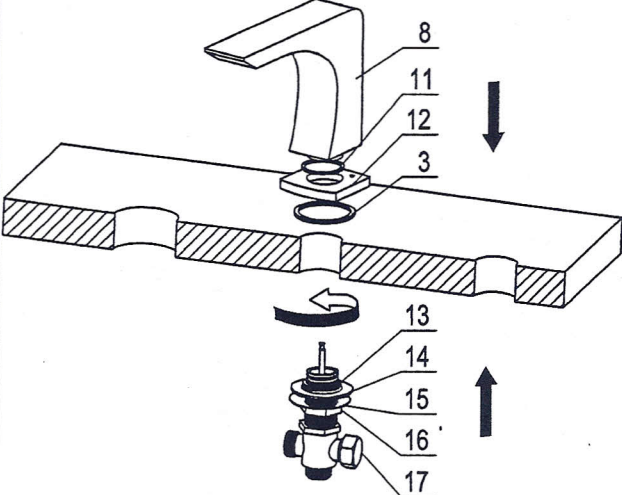
- ☆ Do not disassemble the main body, as it has been installed & commissioned correctly & precisely before leaving the factory.
- ☆ To avoid the faucet from jamming, do flush the water pipe before installation.
- ☆ After installation, make sure every joint safely sealed & no leaking.
- ☆ The nominal water pressure is 0.05 -1.0Mpa (including cold & hot water pressure), suitable for water temperature from 4℃ to 90℃.
- ☆ Make sure to connect the hot/cold inlet pipe correctly, if standing in front, hot water pipe connecting to the left & cold water pipe connecting to the right.

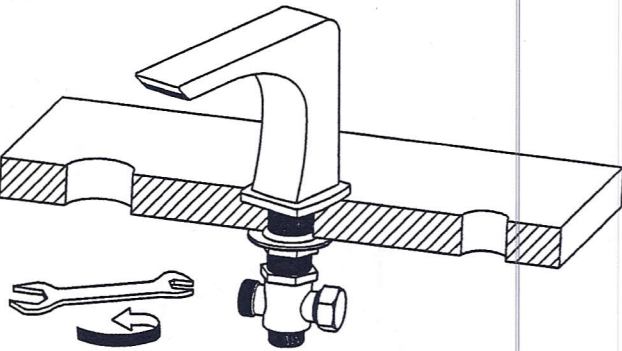
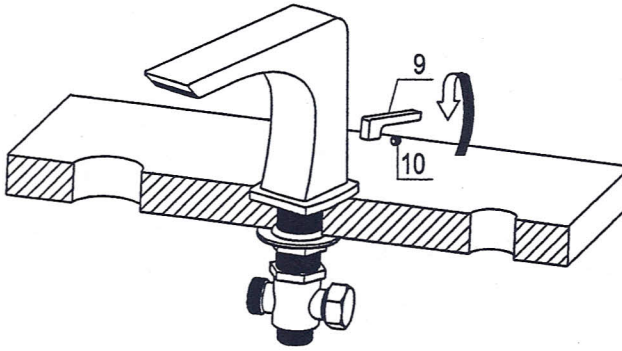


## ※ Dimension Drawing

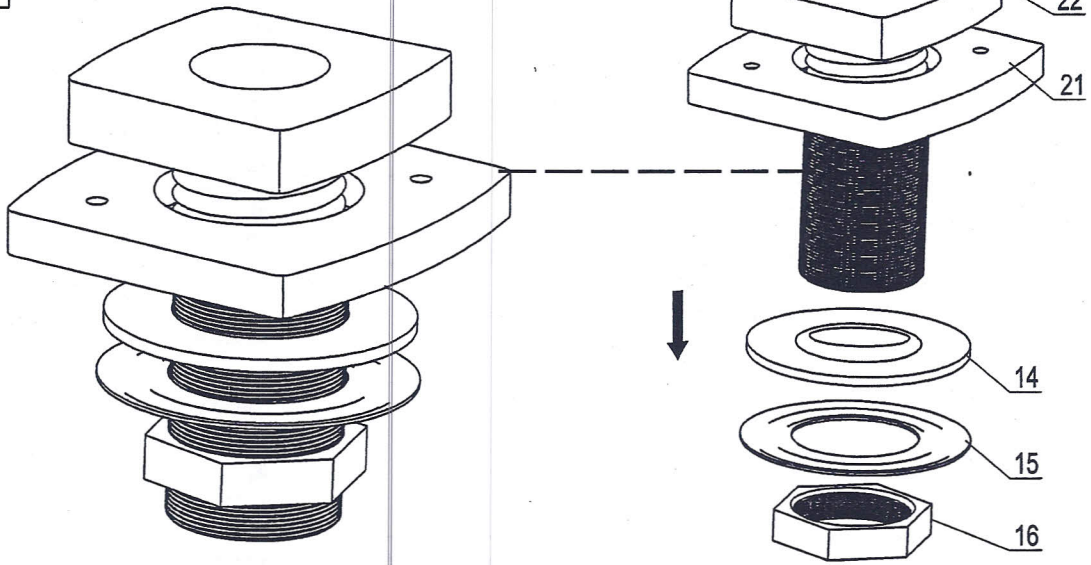


## ※ Installation Procedures

<p>1.</p> 	<p>2.</p> 
<p>1. Before installation , make sure about the following : the thickness of the installation plate &amp; the sizes of the 3 holes are in accordance with demands.</p>	<p>2. After loosening the bolt, take off the diverter knob, unload the diverter unit from the spout unit . Put the diverter unit through the installation hole from the bottom, then connect the spout unit and the decorative plate unit B(12) to the diverter unit from above and fix with the lock nut by hand.</p>

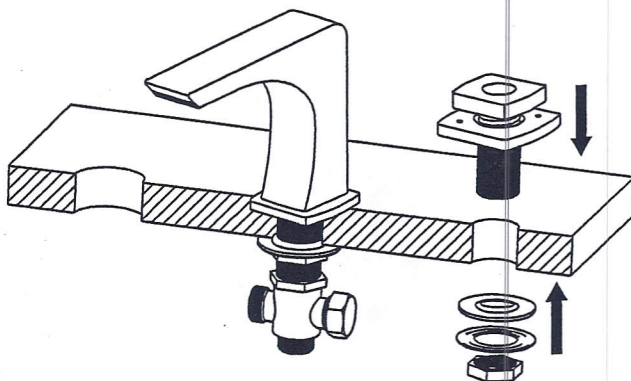
<p>3.</p> 	<p>4.</p> 
<p>3. After adjusting the direction of the spout unit, tighten the spout unit with spanner.</p>	<p>4. Then fix the diverter knob with allen key.</p>

5.



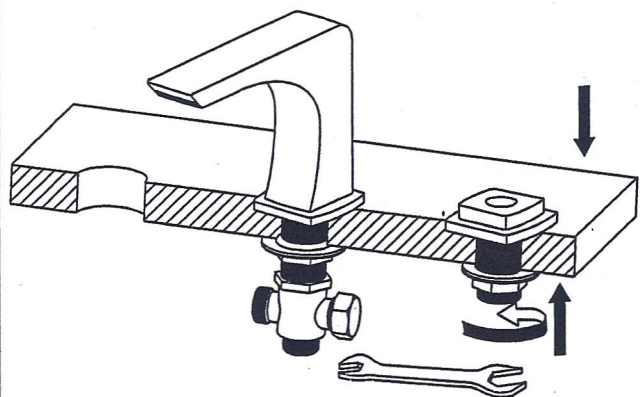
5. Unload the fixing set from the shower seat unit.

6.

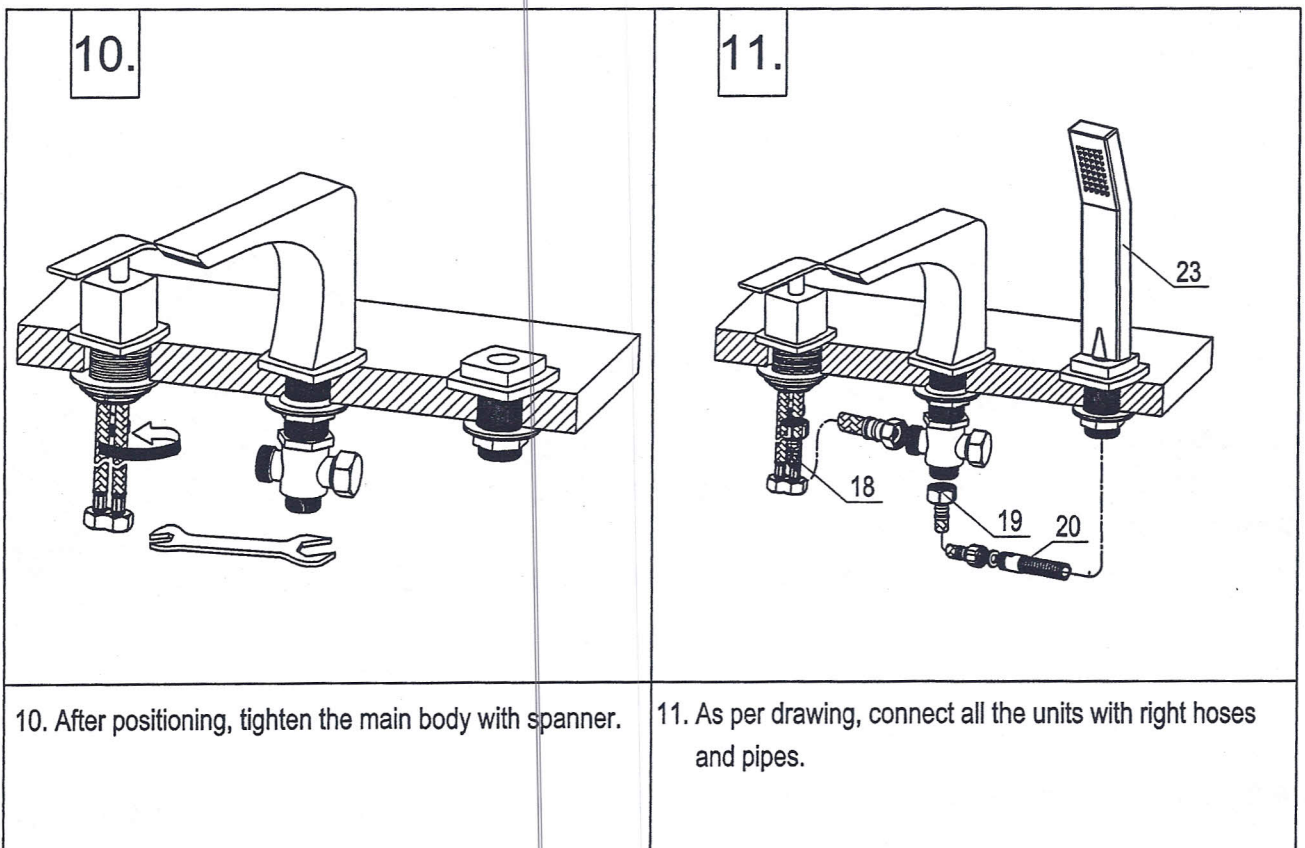
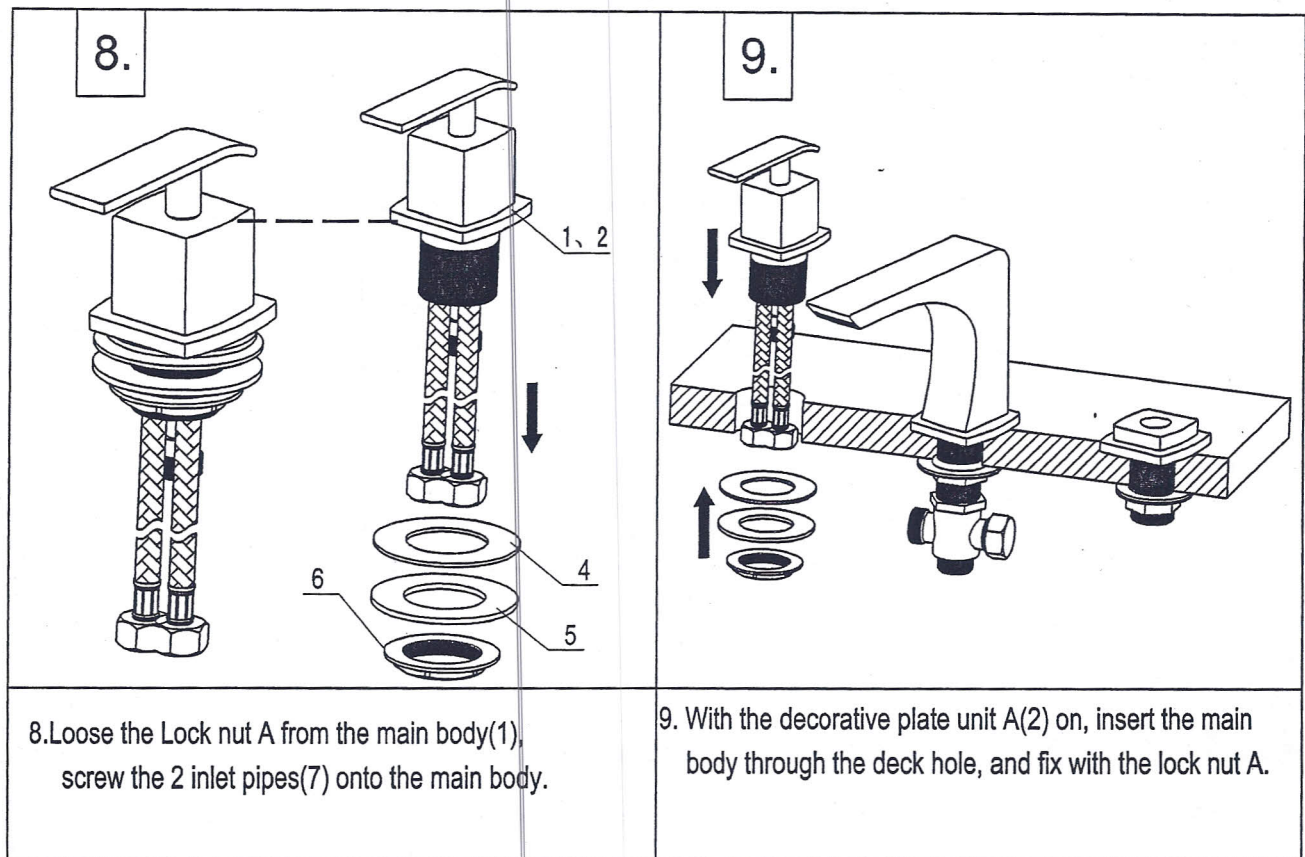


6. Insert the shower seat through the hole, with the decorative plate unit C on and fix with the fixing set.

7.

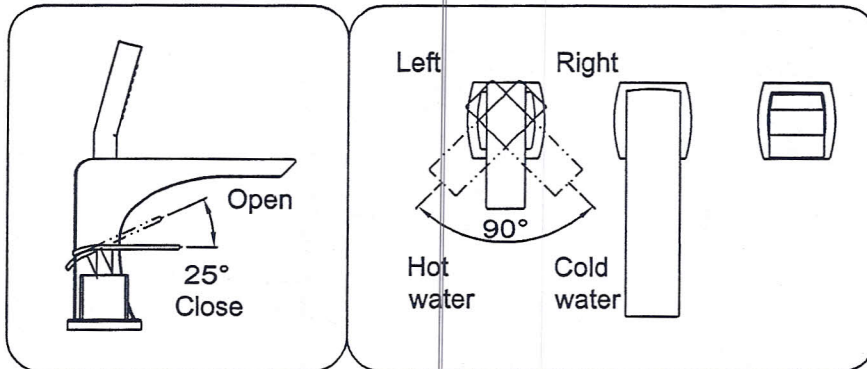


7. With right position, tighten the shower seat with spanner.



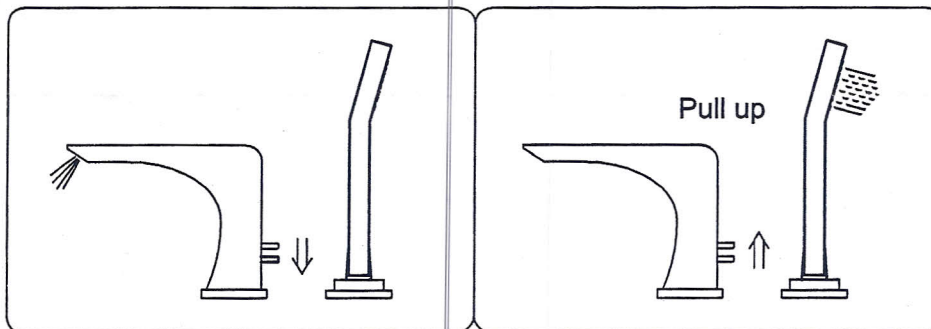
## ※ Operation:

- 1) Raise the handle lever up for opening water, push down to close;
- 2) Turn the handle lever to the left to increase hot water flow.



## ☆ Operation of the diverter :

- 1) Turn on spout water by lifting up the handle lever;
- 2) Pull up the diverter knob to switch water from spout to shower.



## ※ Cleaning & Maintenance

☆ To keep the product clean & shining, follow the steps as below:

1. Flush with clean water & dry with soft cloth only;
2. If any dirt, clean with soft liquid or transparent glass detergent.
3. Do not use any scrubbing detergent, polisher, sand-cloth, paper tissue or scraper.
4. Do not use acid detergent, indissolvable grain-like detergent or soap.



※ Drawings for reference only, and subject to change without further notice.

Serial number: 80010110272